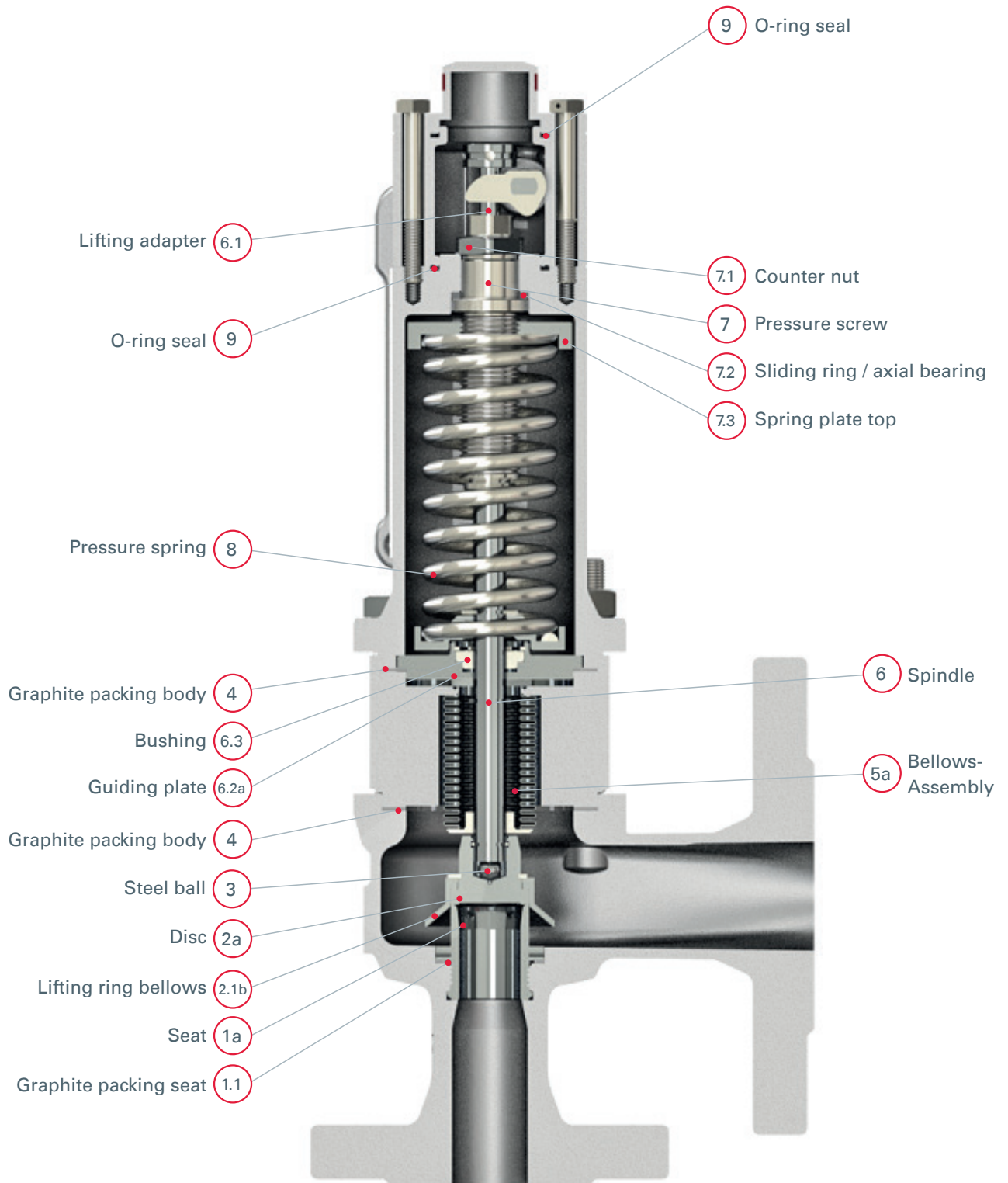


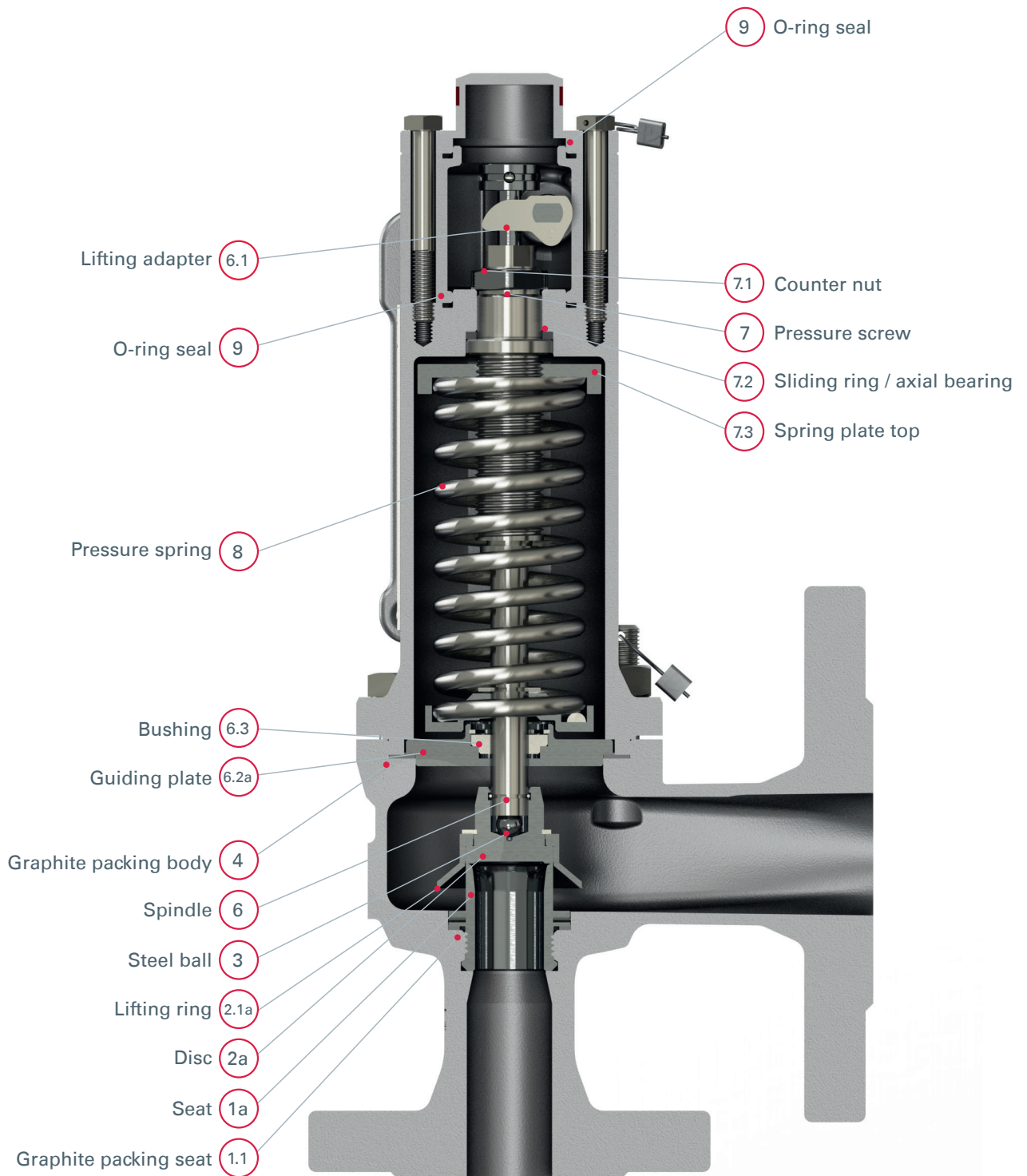
→ Spare parts overview | 455tbGFL MD / 355tbGFL MD



Pos.	Description	Material 455	Material 355
1a	Seat	1.4404 / 316L	1.4404 / 316L
1.1	Graphite packing seat	Graphite + 1.4401 / Graphite + 316L	Graphite + 1.4401 / Graphite + 316L
2a	Disc	1.4404 / 316L	1.4122 / Hardened stainless steel
2.1b	Lifting ring bellows	1.4404 / 316L	1.4021 / 420
3	Steel ball	1.4401 / 316L	1.4401 / 316L
4	Graphite packing body	Graphite + 1.4401 / Graphite + 316L	Graphite + 1.4401 / Graphite + 316L
5a	Bellows-Assembly	1.4571 / 316Ti	1.4571 / 316Ti
6	Spindle	1.4404 / 316L	1.4021 / 420
6.1	Lifting Adapter	1.4404 / 316L	1.4021 / 420
6.2a	Guiding plate	1.4404 / 316L	1.4021 / 420
6.3	Bushing	Ni-Graphite	Ni-Graphite
7	Pressure screw	1.4404 / 316L	1.4122 / Hardened stainless steel
7.1	Counter nut	1.4404 / 316L	1.4404 / 316L
7.2	Sliding rind / axial bearing	PEEK, steel	PEEK, steel
7.3	Spring plate top	1.4404 / 316L	1.4104 / 430F
8	Pressure spring	1.4310 / 302	1.8159 / 6150
9	O-ring seal	EPDM	EPDM

Changes in material selection may occur depending on the application.

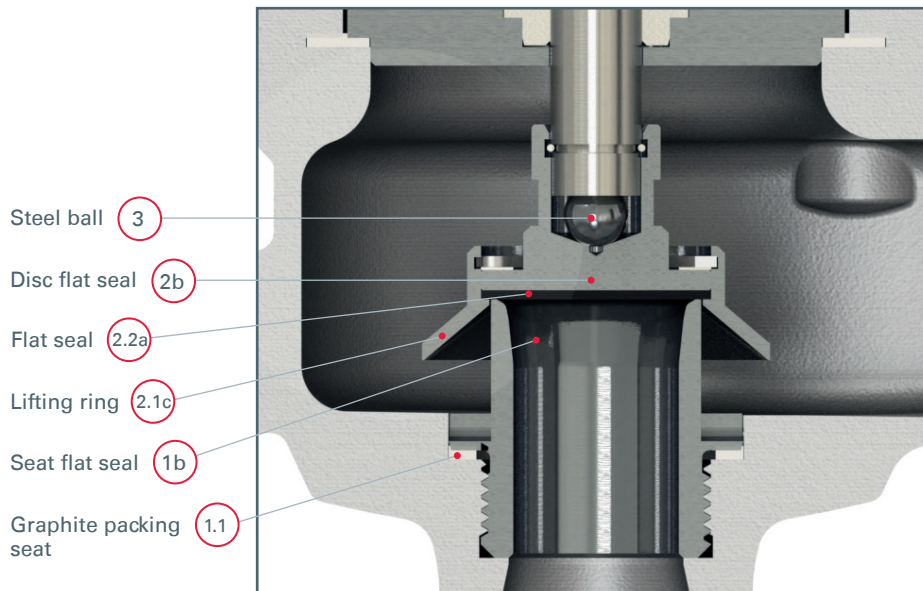
→ Spare parts overview | 455tGFL MD / 355tGFL MD



Pos.	Description	Material 455	Material 355
1a	Seat	1.4404 / 316L	1.4404 / 316L
1.1	Graphite packing seat	Graphite + 1.4401 / Graphite + 316L	Graphite + 1.4401 / Graphite + 316L
2a	Disc	1.4404 / 316L	1.4122 / Hardened stainless steel
2.1a	Lifting ring	1.4404 / 316L	1.4021 / 420
3	Steel ball	1.4401 / 316L	1.4401 / 316L
4	Graphite packing body	Graphite + 1.4401 / Graphite + 316L	Graphite + 1.4401 / Graphite + 316L
6	Spindle	1.4404 / 316L	1.4021 / 420
6.1	Lifting Adapter	1.4404 / 316L	1.4021 / 420
6.2a	Guiding plate	1.4404 / 316L	1.4021 / 420
6.3	Bushing	Ni-Graphite	Ni-Graphite
7	Pressure screw	1.4404 / 316L	1.4122 / Hardened stainless steel
7.1	Counter nut	1.4404 / 316L	1.4404 / 316L
7.2	Sliding rind / axial bearing	PEEK, steel	PEEK, steel
7.3	Spring plate top	1.4404 / 316L	1.4104 / 430F
8	Pressure spring	1.4310 / 302	1.8159 / 6150
9	O-ring seal	EPDM	EPDM

Changes in material selection may occur depending on the application.

→ Spare parts overview | 455tGFL EPDM / 355tGFL EPDM

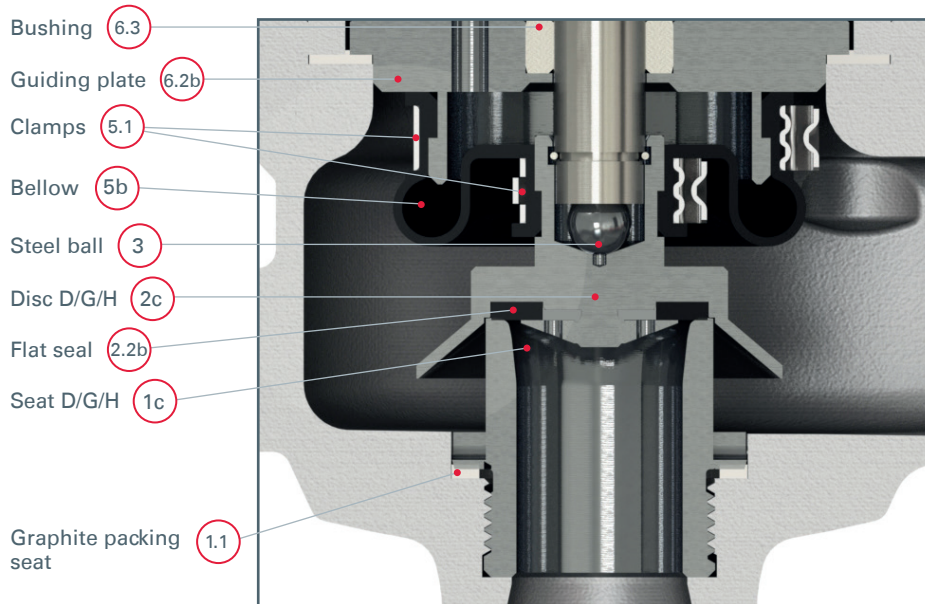


■ SPARE PARTS 455TGFL EPDM / 355TGFL EPDM

Pos.	Description	Material 455	Material 355
1b	Seat flat seal	1.4404 / 316L	1.4404 / 316L
1.1	Graphite packing seat	Graphite + 1.4401 / Graphite + 316L	Graphite + 1.4401 / Graphite + 316L
2b	Disc flat seal	1.4404 / 316L	1.4122 / Hardened stainless steel
2.1c	Lifting ring flat seal	1.4404 / 316L	1.4021 / 420
2.2a	Flat seal	EPDM, FKM, PTFE	EPDM, FKM, PTFE
3	Steel ball	1.4401 / 316L	1.4401 / 316L

Changes in material selection may occur depending on the application.

→ Spare parts overview | 455bHL EPDM / 355bHL EPDM



■ SPARE PARTS 455bHL EPDM / 355bHL EPDM

Pos.	Description	Material 455	Material 355
1c	Seat D/G/H	1.4404 / 316L	1.4404 / 316L
1.1	Graphite packing seat	Graphite + 1.4401 / Graphite + 316L	Graphite + 1.4401 / Graphite + 316L
2c	Disc D/G/H	1.4404 / 316L	1.4122 / Hardened stainless steel
2.2b	Flat seal D/G/H	EPDM	EPDM
3	Steel ball	1.4401 / 316L	1.4401 / 316L
5b	Bellow DGH	EPDM	EPDM
5.1	Clamps	1.4301 / 304	1.4301 / 304
6.2b	Guiding plate D/G/H	1.4404 / 316L	1.4021 / 420
6.3	Bushing	Ni-Graphite	Ni-Graphite

Changes in material selection may occur depending on the application.

Spare parts sets in series 455

Pos.	Sealing sets	DN 15	DN 20	DN 25	DN 32	DN 40	DN 50	DN 65	DN 80	DN 100
1, 1, 3, 4, 9	Sealing set	E0455.015.001	E0455.020.001	E0455.025.001	E0455.032.001	E0455.040.001	E0455.050.001	E0455.065.001	E0455.080.001	E0455.100.001
Pos.	Primary seal	DN 15	DN 20	DN 25	DN 32	DN 40	DN 50	DN 65	DN 80	DN 100
2a	Cone Metallic seal	E0455.015.002	E0455.020.002	E0455.025.002	E0455.032.002	E0455.040.002	E0455.050.002 ¹ / E0455.050.031 ²	E0455.065.002	E0455.080.002	E0455.100.002 ³ / E0455.100.030 ⁴
2.2a	Flat seal EPDM	E0455.015.003	E0455.020.003	E0455.025.003	E0455.032.003	E0455.040.003	E0455.050.003	E0455.065.003	E0455.080.003	E0455.100.003
2.2a	Flat seal FKMVI	E0455.015.004	E0455.020.004	E0455.025.004	E0455.032.004	E0455.040.004	E0455.050.004	E0455.065.004	E0455.080.004	E0455.100.004
2.2a	Flat seal PTFE	E0455.015.005	E0455.020.005	E0455.025.005	E0455.032.005	E0455.040.005	E0455.050.005	E0455.065.005	E0455.080.005	E0455.100.005
2.2a	Flat seal PTFE K	E0455.015.006	E0455.020.006	E0455.025.006	E0455.032.006	E0455.040.006	E0455.050.006	E0455.065.006	E0455.080.006	E0455.100.006
2.2b	Flat seal DGH	E0455.015.007	E0455.020.007	E0455.025.007	E0455.032.007	E0455.040.007	E0455.050.007	E0455.065.007	E0455.080.007	E0455.100.007
Pos.	Seat set	DN 15	DN 20	DN 25	DN 32	DN 40	DN 50	DN 65	DN 80	DN 100
1a, 1, 1	Metallic seal	E0455.015.008	E0455.020.008	E0455.025.008	E0455.032.008	E0455.040.008	E0455.050.008 ¹ / E0455.050.009 ²	E0455.065.008	E0455.080.008	E0455.100.008
1b, 1, 1	Flat seal	E0455.015.009	E0455.020.009	E0455.025.009	E0455.032.009	E0455.040.009	E0455.050.010	E0455.065.009	E0455.080.009	E0455.100.009
1c, 1, 1	DGH	E0455.015.010	E0455.020.010	E0455.025.010	E0455.032.010	E0455.040.010	- ⁵	- ⁵	- ⁵	- ⁵
Pos.	Cone assemblies	DN 15	DN 20	DN 25	DN 32	DN 40	DN 50	DN 65	DN 80	DN 100
2a, 2, 1a, 3	Metallic seal	E0455.015.011	E0455.020.011	E0455.025.011	E0455.032.011	E0455.040.011	E0455.050.011 ¹ / E0455.050.012 ²	E0455.065.010	E0455.080.010	E0455.100.010 ³ / E0455.100.011 ⁴
2a, 2, 1b, 3	Metallic seal bellow	E0455.015.012	E0455.020.012	E0455.025.012	E0455.032.012	E0455.040.012	E0455.050.013 ¹ / E0455.050.014 ²	E0455.065.011	E0455.080.011	E0455.100.012
2b, 2, 1c, 2, 2a, 3	Flat seal EPDM	E0455.015.013	E0455.020.013	E0455.025.013	E0455.032.013	E0455.040.013	E0455.050.015	E0455.065.012	E0455.080.012	E0455.100.013
2b, 2, 1d, 2, 2a, 3	Flat seal EPDM bellow	E0455.015.014	E0455.020.014	E0455.025.014	E0455.032.014	E0455.040.014	E0455.050.016	E0455.065.013	E0455.080.013	E0455.100.014
2b, 2, 1c, 2, 2a, 3	Flat seal FKMVI	E0455.015.015	E0455.020.015	E0455.025.015	E0455.032.015	E0455.040.015	E0455.050.017	E0455.065.014	E0455.080.014	E0455.100.015
2b, 2, 1d, 2, 2a, 3	Flat seal FKMVI bellow	E0455.015.016	E0455.020.016	E0455.025.016	E0455.032.016	E0455.040.016	E0455.050.018	E0455.065.015	E0455.080.015	E0455.100.016
2b, 2, 1c, 2, 2a, 3	Flat seal PTFE	E0455.015.017	E0455.020.017	E0455.025.017	E0455.032.017	E0455.040.017	E0455.050.019	E0455.065.016	E0455.080.016	E0455.100.017
2b, 2, 1d, 2, 2a, 3	Flat seal PTFE bellow	E0455.015.018	E0455.020.018	E0455.025.018	E0455.032.018	E0455.040.018	E0455.050.020	E0455.065.017	E0455.080.017	E0455.100.018
2b, 2, 1c, 2, 2a, 3	Flat seal PTFE carbon	E0455.015.019	E0455.020.019	E0455.025.019	E0455.032.019	E0455.040.019	E0455.050.021	E0455.065.018	E0455.080.018	E0455.100.019
2b, 2, 1d, 2, 2a, 3	Flat seal PTFE carbon bellow	E0455.015.020	E0455.020.020	E0455.025.020	E0455.032.020	E0455.040.020	E0455.050.022	E0455.065.019	E0455.080.019	E0455.100.020
2c, 2, 2b, 3	Flat seal DGH	E0455.015.021	E0455.020.021	E0455.025.021	E0455.032.021	E0455.040.021	E0455.050.023	E0455.065.020	E0455.080.020	E0455.100.021

Pos.	Spindle set	DN 15	DN 20	DN 25	DN 32	DN 40	DN 50	DN 65	DN 80	DN 100
3, 6, 6.2a, 6.3	without lifting	E0455.015.022	E0455.020.022	E0455.025.022	E0455.032.022	E0455.040.022	E0455.050.024 ¹ / E0455.050.026 ²	E0455.065.021	E0455.080.021	E0455.100.022 ³ / E0455.100.024 ⁴
3, 6, 6.1 6.2a, 6.3	lifting	E0455.015.023	E0455.020.023	E0455.025.023	E0455.032.023	E0455.040.023	E0455.050.025 ¹ / E0455.050.027 ²	E0455.065.022	E0455.080.022	E0455.100.023 ³ / E0455.100.025 ⁴
3, 6, 6.1 6.2b, 6.3	DGH	E0455.015.042	E0455.020.028	E0455.025.041	E0455.032.040	E0455.040.042	E0455.050.047	E0455.065.041	E0455.080.040	E0455.100.040
Pos.	Pressure screw set	DN 15	DN 20	DN 25	DN 32	DN 40	DN 50	DN 65	DN 80	DN 100
7, 7.1, 7.2, 7.3	Pressure screw	E0455.020.024	E0455.020.024	E0455.025.024	E0455.032.024	E0455.040.024	E0455.050.028	E0455.065.023	E0455.080.023	E0455.100.026 ³ / E0455.100.027 ⁴
Pos.	Bellows set	DN 15	DN 20	DN 25	DN 32	DN 40	DN 50	DN 65	DN 80	DN 100
5a	Metal bellows ⁶	E0455.015.024	E0455.020.025	E0455.025.025	E0455.032.025	E0455.040.025	E0455.050.029	E0455.065.024	E0455.080.024	E0455.100.028
5a	Metal bellows LowPressure ⁷	E0455.015.025	E0455.020.026	E0455.025.026	E0455.032.026	E0455.040.026	E0455.050.030	E0455.065.025	E0455.080.025	E0455.100.029
5 b, 5.1	Elastomer bellows DGH	E0455.020.027	E0455.020.027	E0455.020.027	E0455.040.027	E0455.040.027	E0455.040.027	E0455.080.026	E0455.080.026	E0455.080.026
Pos.	Pressure spring	DN 15	DN 20	DN 25	DN 32	DN 40	DN 50	DN 65	DN 80	DN 100
8	Spring									

Ersatzteilnummern Federn siehe Dokument V-0219 Federtabellen

¹ Set pressure > 3.0 bar for version without bellows

² Setting pressure ≤ 3.0 bar for version without bellows, always for version with bellows

³ Setting pressure ≤ 10.0 bar

⁴ Setting pressure > 10.0 bar

⁵ Please use the spare part number of the flat gasket version.

⁶ DN 15 - DN 40 set pressure > 5.0 bar, DN 50 set pressure > 4.0 bar, DN 65 - DN 100 set pressure > 3.5 bar

⁷ DN 15 - DN 40 set pressure ≤ 5.0 bar, DN 50 set pressure ≤ 4.0 bar, DN 65 - DN 100 set pressure ≤ 3.5 bar

Our technical sales department will be happy to help you choose the right spare parts package: www.goetze-armaturen.de | info@goetze-armaturen.de | Phone: +49 (0) 7141 / 488 94 60

For new enquiries, please state the complete type code and setting pressure, for existing valves also the serial number.

Spare parts sets in series 355

Pos.	Sealing sets	DN 15	DN 20	DN 25	DN 32	DN 40	DN 50	DN 65	DN 80	DN 100
1.1, 3, 4, 9	Sealing set	E0455.015.001	E0455.020.001	E0455.025.001	E0455.032.001	E0455.040.001	E0455.050.001	E0455.065.001	E0455.080.001	E0455.100.001

Pos.	Primary seal	DN 15	DN 20	DN 25	DN 32	DN 40	DN 50	DN 65	DN 80	DN 100
2a	Cone Metallic seal ¹	E0355.015.009	E0355.020.009	E0355.025.009	E0355.032.009	E0355.040.009	E0355.050.009	E0355.065.009	E0355.080.009	E0355.100.009
2.2a	Flat seal EPDM	E0455.015.003	E0455.020.003	E0455.025.003	E0455.032.003	E0455.040.003	E0455.050.003	E0455.065.003	E0455.080.003	E0455.100.003
2.2a	Flat seal FKMVI	E0455.015.004	E0455.020.004	E0455.025.004	E0455.032.004	E0455.040.004	E0455.050.004	E0455.065.004	E0455.080.004	E0455.100.004
2.2a	Flat seal PTFE	E0455.015.005	E0455.020.005	E0455.025.005	E0455.032.005	E0455.040.005	E0455.050.005	E0455.065.005	E0455.080.005	E0455.100.005
2.2a	Flat seal PTFE K	E0455.015.006	E0455.020.006	E0455.025.006	E0455.032.006	E0455.040.006	E0455.050.006	E0455.065.006	E0455.080.006	E0455.100.006
2.2b	Flat seal DGH	E0455.015.007	E0455.020.007	E0455.025.007	E0455.032.007	E0455.040.007	E0455.050.007	E0455.065.007	E0455.080.007	E0455.100.007

Pos.	Seat set	DN 15	DN 20	DN 25	DN 32	DN 40	DN 50	DN 65	DN 80	DN 100
1a, 1.1	Metallic seal	E0455.015.008	E0455.020.008	E0455.025.008	E0455.032.008	E0455.040.008	E0455.050.009	E0455.065.008	E0455.080.008	E0455.100.008
1b, 1.1	Flat seal	E0455.015.009	E0455.020.009	E0455.025.009	E0455.032.009	E0455.040.009	E0455.050.010	E0455.065.009	E0455.080.009	E0455.100.009
1c, 1.1	DGH	E0455.015.010	E0455.020.010	E0455.025.010	E0455.032.010	E0455.040.010	- ⁵	- ⁵	- ⁵	- ⁵

Pos.	Cone assemblies	DN 15	DN 20	DN 25	DN 32	DN 40	DN 50	DN 65	DN 80	DN 100
2a, 2.1a, 3	Metallic seal	E0355.015.001	E0355.020.001	E0355.025.001	E0355.032.001	E0355.040.001	E0355.050.001	E0355.065.001	E0355.080.001	E0355.100.001
2a, 2.1b, 3	Metallic seal bellow	E0455.015.012	E0455.020.012	E0455.025.012	E0455.032.012	E0455.040.012	E0455.050.013 ³ / E0455.050.014 ⁴	E0455.065.011	E0455.080.011	E0455.100.012
2b, 2.1c, 2.2a, 3	Flat seal EPDM	E0355.015.002	E0355.020.002	E0355.025.002	E0355.032.002	E0355.040.002	E0355.050.002	E0355.065.002	E0355.080.002	E0355.100.002
2b, 2.1d, 2.2a, 3	Flat seal EPDM bellow	E0455.015.014	E0455.020.014	E0455.025.014	E0455.032.014	E0455.040.014	E0455.050.016	E0455.065.013	E0455.080.013	E0455.100.014
2b, 2.1c, 2.2a, 3	Flat seal FKMVI	E0355.015.003	E0355.020.003	E0355.025.003	E0355.032.003	E0355.040.003	E0355.050.003	E0355.065.003	E0355.080.003	E0355.100.003
2b, 2.1d, 2.2a, 3	Flat seal FKMVI bellow	E0455.015.016	E0455.020.016	E0455.025.016	E0455.032.016	E0455.040.016	E0455.050.018	E0455.065.015	E0455.080.015	E0455.100.016
2b, 2.1c, 2.2a, 3	Flat seal PTFE	E0355.015.004	E0355.020.004	E0355.025.004	E0355.032.004	E0355.040.004	E0355.050.004	E0355.065.004	E0355.080.004	E0355.100.004
2b, 2.1d, 2.2a, 3	Flat seal PTFE bellow	E0455.015.018	E0455.020.018	E0455.025.018	E0455.032.018	E0455.040.018	E0455.050.020	E0455.065.017	E0455.080.017	E0455.100.018
2b, 2.1c, 2.2a, 3	Flat seal PTFE carbon	E0355.015.005	E0355.020.005	E0355.025.005	E0355.032.005	E0355.040.005	E0355.050.005	E0355.065.005	E0355.080.005	E0355.100.005
2b, 2.1d, 2.2a, 3	Flat seal PTFE carbon bellow	E0455.015.020	E0455.020.020	E0455.025.020	E0455.032.020	E0455.040.020	E0455.050.022	E0455.065.019	E0455.080.019	E0455.100.020
2c, 2.2b, 3	Flat seal DGH	E0355.015.006	E0355.020.006	E0355.025.006	E0355.032.006	E0355.040.006	E0355.050.006	E0355.065.006	E0355.080.006	E0355.100.006

Pos.	Spindle set	DN 15	DN 20	DN 25	DN 32	DN 40	DN 50	DN 65	DN 80	DN 100
3, 6, 6.2a, 6.3	without lifting	E0355.015.007	E0355.020.007	E0355.025.007	E0355.032.007	E0355.040.007	E0355.050.007	E0355.065.007	E0355.080.007	E0355.100.007
3, 6, 6.1 6.2a, 6.3	lifting	E0355.015.008	E0355.020.008	E0355.025.008	E0355.032.008	E0355.040.008	E0355.050.008	E0355.065.008	E0355.080.008	E0355.100.008
3, 6, 6.1 6.2b, 6.3	DGH	E0355.015.026	E0355.020.011	E0355.025.025	E0355.032.023	E0355.040.025	E0355.050.026	E0355.065.026	E0355.080.025	E0355.100.020
Pos.	Pressure screw set	DN 15	DN 20	DN 25	DN 32	DN 40	DN 50	DN 65	DN 80	DN 100
7, 7.1, 7.2, 7.3	Pressure screw ^{1,2}	E0355.020.010	E0355.020.010	E0355.025.010	E0355.040.010	E0355.040.010	E0355.050.010	E0355.065.010	E0355.080.010 / E0355.080.011 ⁶	E0355.100.010
Pos.	Bellows set	DN 15	DN 20	DN 25	DN 32	DN 40	DN 50	DN 65	DN 80	DN 100
5a	Metal bellows ⁷	E0455.015.025	E0455.020.025	E0455.025.025	E0455.032.025	E0455.040.025	E0455.050.029	E0455.065.024	E0455.080.024	E0455.100.028
5a	Metal bellows LowPressure ⁸	E0455.015.026	E0455.020.026	E0455.025.026	E0455.032.026	E0455.040.026	E0455.050.030	E0455.065.025	E0455.080.025	E0455.100.029
5b, 5.1	Elastomer bellows DGH	E0455.020.027	E0455.020.027	E0455.020.027	E0455.040.027	E0455.040.027	E0455.040.027	E0455.080.026	E0455.080.026	E0455.080.026
Pos.	Pressure spring	DN 15	DN 20	DN 25	DN 32	DN 40	DN 50	DN 65	DN 80	DN 100
8	Spring ¹									

Ersatzteilnummern Federn siehe Dokument V-0219 Federtabellen

¹ Set pressure > 3.0 bar for version without bellows

² Setting pressure ≤ 3.0 bar for version without bellows, always for version with bellows

³ Setting pressure ≤ 10.0 bar

⁴ Setting pressure > 10.0 bar

⁵ Please use the spare part number of the flat gasket version.

⁶ DN 15 - DN 40 set pressure > 5.0 bar, DN 50 set pressure > 4.0 bar, DN 65 - DN 100 set pressure > 3.5 bar

⁷ DN 15 - DN 40 set pressure ≤ 5.0 bar, DN 50 set pressure ≤ 4.0 bar, DN 65 - DN 100 set pressure ≤ 3.5 bar

Our technical sales department will be happy to help you choose the right spare parts package: www.goetze-armaturen.de | info@goetze-armaturen.de | Phone: +49 (0) 7141 / 488 94 60
 For new enquiries, please state the complete type code and setting pressure, for existing valves also the serial number.