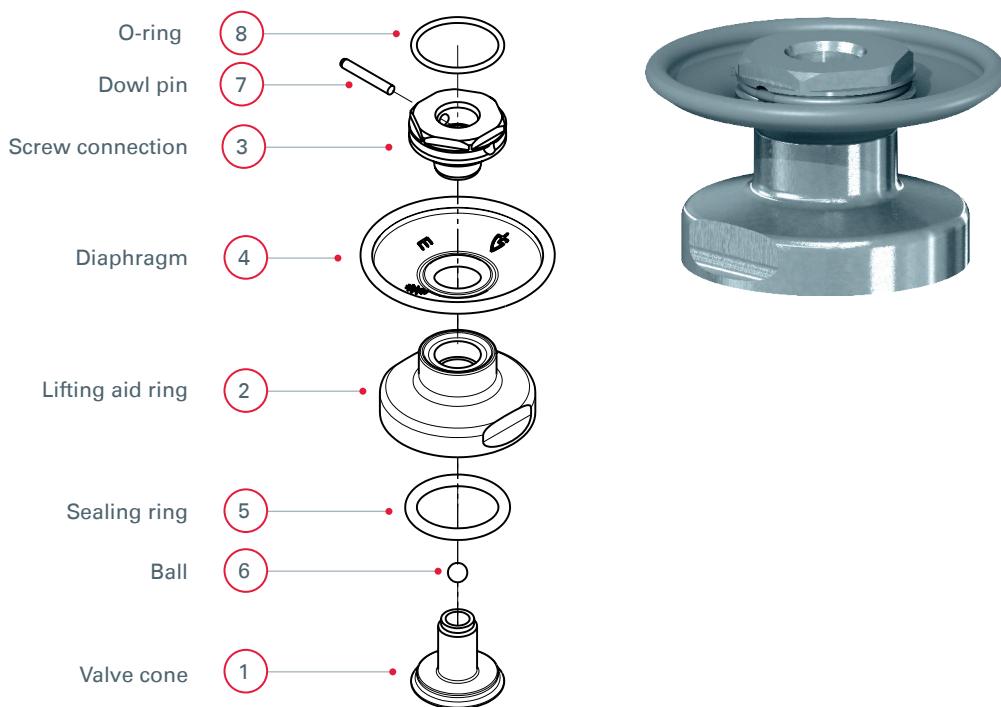


## → Cone assembly type 4000/4020/4040/4060



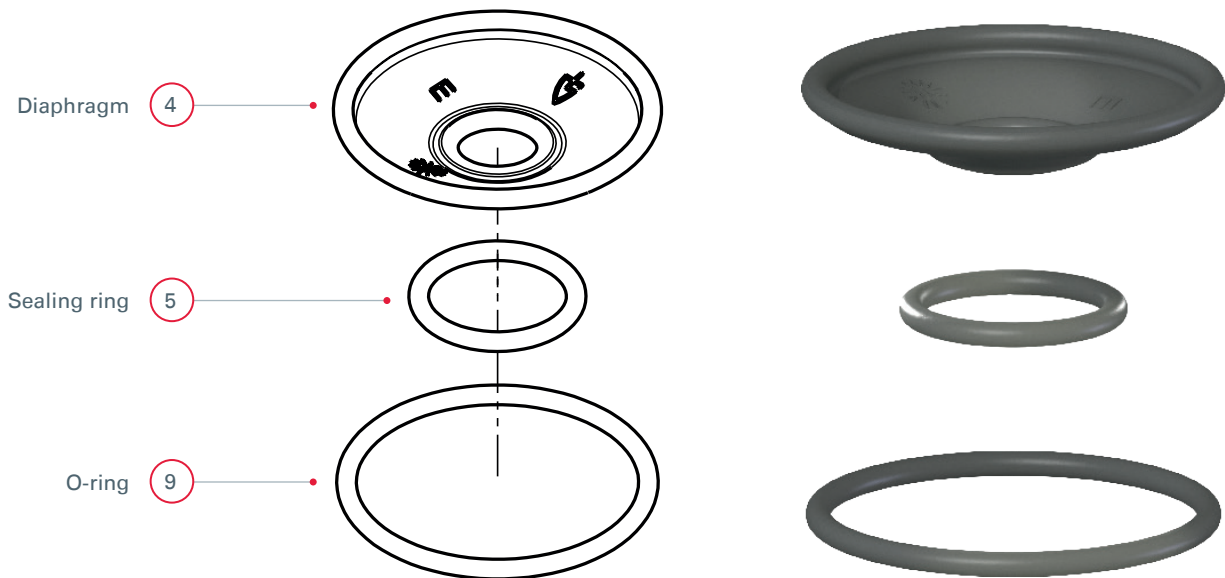
### ■ SPARE PARTS CONE ASSEMBLY

No.	Description	Material
1	Valve cone	1.4404/1.4435 <sup>1)</sup>
2	Lifting aid ring	1.4404/1.4435 <sup>1)</sup>
3	Screw connection	1.4404
4	Diaphragm	see sealing material
5	Sealing ring	see sealing material
6	Ball	stainless steel
7	Dowel pin	stainless steel
8	O-ring	EPDM/NBR

<sup>1)</sup> Material depending on valve type and version

Type	Nominal diameter	Sealing material		
		EPDM	FKM	HNBR
4020/4040/4060	DN25	E4020.025.001	E4020.025.002	E4020.025.003
	DN25	E4000.025.001	E4000.025.002	E4000.025.003
4000	DN40	E4000.040.001	E4000.040.002	E4000.040.003
	DN50	E4000.050.001	E4000.050.002	E4000.050.003
	DN65	E4000.065.001	E4000.065.002	E4000.065.003
	DN80	E4000.080.001	E4000.080.002	E4000.080.003
	DN100	E4000.100.001	E4000.100.002	E4000.100.003

## → Sealing package type 4000/4020/4040/4060



### ■ SPARE PARTS SEALING PACKAGE

No.	Description	Material
4	Diaphragm	see sealing material
5	Sealing ring	see sealing material
9 <sup>2)</sup>	O-ring	see sealing material

<sup>2)</sup> not available for type 4020

Type	Nominal diameter	Sealing material		
		EPDM	FKM	HNBR
4020	DN25	E4020.025.010	E4020.025.011	E4020.025.012
4040	DN25	E4040.025.010	E4040.025.011	E4040.025.012
4060	DN25	E4060.025.010	E4060.025.011	E4060.025.012
4000	DN25	E4000.025.010	E4000.025.011	E4000.025.012
	DN40	E4000.040.010	E4000.040.011	E4000.040.012
	DN50	E4000.050.010	E4000.050.011	-
	DN65	E4000.065.010	E4000.065.011	-
	DN80	E4000.080.010	E4000.080.011	-
	DN100	E4000.100.010	E4000.100.011	-