

9040

Pressure reducing valves
made of stainless steel with
threaded connections

→ Series 9040



■ SUITABLE FOR

| | | |
|--------------------|------------|--|
| Potable water cold | up to 40°C | |
| Potable hot water | up to 85°C | |

■ EXAMPLES OF USE

Protection of water supply systems in single-family homes, apartment buildings, commercial and industrial buildings or machines against excessive supply pressure. Usage of pressure reducing valves when a constant supply pressure is required in the system.

- Protection against overpressure
- Increase of comfort and reduction of water consumption
- Drinking water supply systems
- Service water supply in industrial and building services engineering
- Machines / plants connected to the drinking water network
- Irrigation technology / Cattle fattening

■ FEATURES

- First class flow rate and pressure control
- Filter screen with 160µm mesh - protection of the system with easy cleaning and contamination detection with clear filter cup
- Housing made of high-quality stainless steel V4A
- High-quality plastic from medical technology sector
- Adjustment scale visible from two angles for adjustment without pressure gauge / operating pressure

■ APPROVALS

| | | |
|--|--|--|
| DIN-DVGW type test approval (up to 80°C) | | |
| Type approval ACS | | |
| Type approval PZH | | |
| TR ZU 032/2013 - TR ZU 010/2011 | | |
| WRAS | | |
| Type approval SVGW | | |
| FDA All materials in contact with media are FDA conform | | |
| Noise protection class P-IX 7444/I for DN15,20 and 25, P-IX 7445/II for DN32 | | |
| Requirements | DIN EN 1567 DIN 4109 UBA BWGL for metallic materials | DVGW W270 Elastomere guideline KTW guideline |
| Classification society | American Bureau of Shipping Registro Italiano Navale | ABS RINA |



■ MATERIAL



■ SPECIFICATION

| | | |
|-----------|---------------|--|
| | | |
| 1/2" – 2" | +5°C to +85°C | Inlet pressure: up to 16 bar / 25 bar Outlet pressure: 0,5 - 12 bar |

■ MATERIALS

| Component | Material | DIN EN |
|----------------|--|---------------------------|
| Body | Stainless steel | 1.4408 |
| Valve insert | Plastic Stainless steel Elastomere | PPSU 1.4404 EPDM |
| Filter cup | Plastic or Stainless steel | PA |
| Filter screen | Plastic Stainless steel | POM 1.4401 |
| Spring housing | Plastic | PA Glass fibre reinforced |
| O-rings | Elastomere | EPDM |
| Plugd | Plastic | PA Glass fibre reinforced |



| | | |
|---|----------------|---|
| m | with diaphragm | High-quality, heat-resistant moulded elastomere, fabric-reinforced diaphragm. |
|---|----------------|---|

■ MEDIUM

| | | |
|---|--------|--|
| F | liquid | for drinking water. Not suitable for steam. Other medium on request. |
|---|--------|--|

■ TYPE OF LIFTING MECHANISM

| | |
|---|------------------------|
| 0 | without lifting device |
|---|------------------------|

■ OUTLET PRESSURE RANGES

| | | | |
|----|-----------------------|---------------------------------------|------------------------------------|
| SP | Standard version | Inlet pressure: up to 16 bar / 25 bar | Outlet pressure: from 1,5 to 7 bar |
| HP | High-pressure version | Inlet pressure: up to 16 bar / 25 bar | Outlet pressure: from 3 to 12 bar |
| LP | Low-pressure version | Inlet pressure: up to 16 bar / 25 bar | Outlet pressure: from 0,5 to 3 bar |

■ AVAILABLE NOMINAL DIAMETERS AND CONNECTION SIZES

| Nominal diameter DN | 15 | 20 | 25 | 32 | 40 | 50 |
|---------------------|-----------|-----------|---------|-------------|-------------|---------|
| Inlet | 1/2" (15) | 3/4" (20) | 1" (25) | 1 1/4" (32) | 1 1/2" (40) | 2" (50) |
| Outlet | 1/2" (15) | 3/4" (20) | 1" (25) | 1 1/4" (32) | 1 1/2" (40) | 2" (50) |

■ TYPE OF CONNECTION INLET / OUTLET THREADED CONNECTIONS

| | | | |
|--|-----------------------------------|---------------------------------------|-----------------------------|
| BSP-Tm / BSP-Tm | Standard threaded male connection | Male thread BSP-T / Male thread BSP-T | DIN EN 10226 / DIN EN 10226 |
| Threaded connection hose nozzle | on request | according to customer configuration | |
| Bulkhead fitting with push-in connection | on request | according to customer configuration | |

■ NOMINAL PRESSURE RATING PN

| | | | |
|------|---|---|----------------------------|
| PN16 | nominal pressure rating PN16, maximum inlet pressure 16 bar | version with filter cup made of plastic | operating temperature 40°C |
| PN25 | nominal pressure rating PN25, maximum inlet pressure 25 bar | version with filter cup made of stainless steel | operating temperature 85°C |

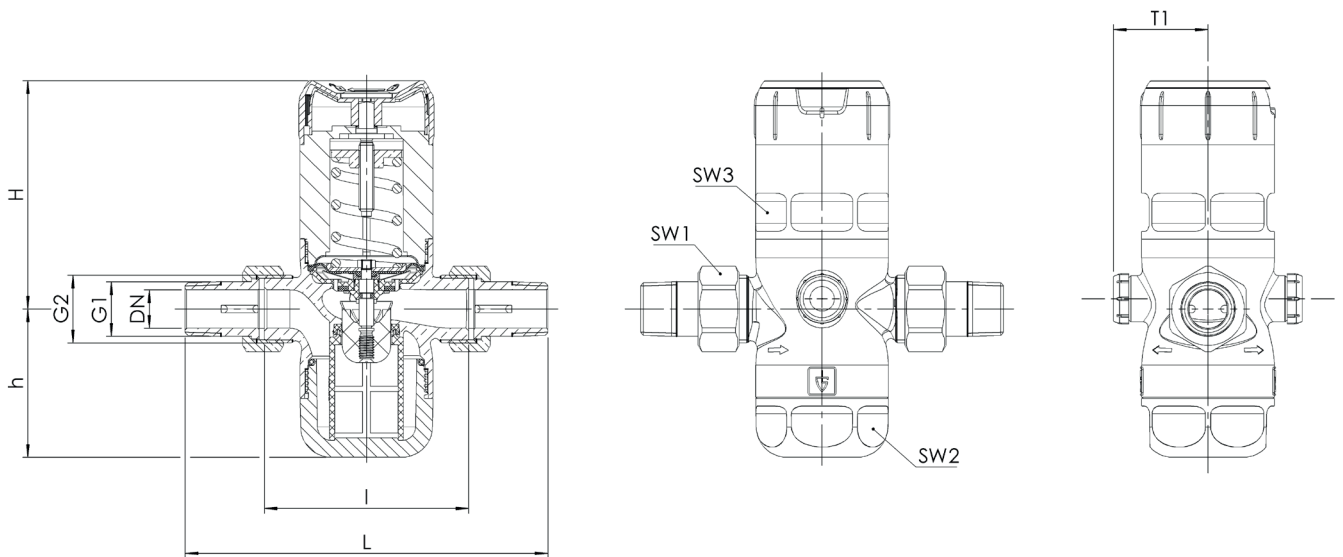
■ SEALS

| | | |
|------|--------------------------|--|
| EPDM | Ethylene propylene diene | Elastomere moulded diaphragm and seals |
|------|--------------------------|--|

| Series 9040: Connection, installation dimensions, ranges of adjustment | | | | | | | |
|--|--------|------------|------------|------------|------------|------------|------------|
| Nominal diameter | DN | 15 | 20 | 25 | 32 | 40 | 50 |
| Threaded nozzle connection DIN EN 10226-1 | G1 | R 1/2" | R 3/4" | R 1" | R 1 1/4" | R 1 1/2" | R 2" |
| Connection body DIN ISO 228-1 | G2 | G 3/4" | G 1" | G 1 1/4" | G 1 1/2" | G 2" | G 2 1/2" |
| Inlet pressure filter cup made of plastic | bar | max. 16 | max. 16 | max. 16 | max. 16 | max. 16 | max. 16 |
| Inlet pressure filter cup made of stainless steel | bar | max. 25 | max. 25 | max. 25 | max. 25 | max. 25 | max. 25 |
| Operating temperature filter cup made of plastic | °C | 40 | 40 | 40 | 40 | 40 | 40 |
| Operating temperature filter cup made of stainless steel | °C | 85 | 85 | 85 | 85 | 85 | 85 |
| Outlet pressure range SP / presetting 3 bar | bar | 1,5 - 7 | 1,5 - 7 | 1,5 - 7 | 1,5 - 7 | 1,5 - 7 | 1,5 - 7 |
| Outlet pressure range HP / presetting 5 bar | bar | 3 - 12 | 3 - 12 | 3 - 12 | 3 - 12 | 3 - 12 | 3 - 12 |
| Outlet pressure range LP / presetting 1 bar | bar | 0,5 - 3 | 0,5 - 3 | 0,5 - 3 | 0,5 - 3 | 0,5 - 3 | 0,5 - 3 |
| Installation dimensions in mm | L | 136 | 152 | 170 | 191 | 220 | 254 |
| | I | 80 | 90 | 100 | 105 | 130 | 140 |
| | H | 89 | 89 | 111 | 111 | 151 | 151 |
| | h | 58 | 58 | 64 | 64 | 94 | 94 |
| | T1 | 37 | 37 | 46 | 46 | 50 | 50 |
| | SW1 | 30 | 37 | 46 | 52 | 65 | 80 |
| | SW2 | 46 | 46 | 66 | 66 | 75 | 75 |
| | SW3 | 46 | 46 | 65 | 65 | 75 | 75 |
| | G3 | 1/4" axial | 1/4" axial | 1/4" axial | 1/4" axial | 1/4" axial | 1/4" axial |
| | Weight | kg | 0,8 | 0,9 | 1,7 | 1,9 | 3,9 |
| Coefficient of flow Kvs | m³/h | 3,4 | 4,4 | 9,3 | 10,5 | 19,5 | 20,5 |

Installation dimensions without threaded connection like series 681 and D06F.

■ MAIN DIMENSIONS, INSTALLATION DIMENSIONS



Series 9040 ■ INDIVIDUAL SELECTION / VALVE CONFIGURATION

| Series | Valve version | Medium | Lifting device | Outlet pressure range | Nominal diameter DN | Connection type | | Connection size | | PN | Options | Seal | Quantity |
|--------|---------------|--------|----------------|-----------------------|---------------------|-----------------|---------|-----------------|--------|------|---------|------|----------|
| | | | | | | Inlet | Outlet | Inlet | Outlet | | | | |
| 9040 | m | F | 0 | SP | 20 | BSP-T m | BSP-T m | 20 | 20 | PN16 | S111 | EPDM | 8 |
| 9040 | m | F | 0 | SP | 15 | BSP-T m | BSP-T m | 15 | 15 | PN16 | | EPDM | 4 |
| 9040 | m | F | 0 | | | | | | | | | | |
| 9040 | m | F | 0 | | | | | | | | | | |

■ PROPERTIES

| | | |
|-----|-------------------------------------|--------------------------|
| S20 | Supply without threaded connections | <input type="checkbox"/> |
|-----|-------------------------------------|--------------------------|

■ CERTIFICATES / APPROVALS

| | | |
|-----|---|--------------------------|
| C01 | Factory certificate acc. DIN EN 10204 2.2 (WKZ 2.2) | <input type="checkbox"/> |
| C02 | Test certificate acc. DIN EN 10204 3.1 (WPZ 3.1) | <input type="checkbox"/> |
| C03 | Material test certificate acc. DIN EN 10204 3.1 (MPZ 3.1) (pressure retaining part) | <input type="checkbox"/> |

■ ADMISSIONS / ACCREDITATIONS

| | | | | | |
|-----|--|-------------------------------------|-----|--|--------------------------|
| AA1 | EC Type examination acc. to Directive 2014/68/EU | <input checked="" type="checkbox"/> | AB3 | Attestation de Conformité Sanitaire, ACS type approval | <input type="checkbox"/> |
| AA4 | EAC - certificate/declaration with passport for the valve and laser marking of the valve | <input type="checkbox"/> | AB5 | Schweizerischer Verein des Gas- and Wasserfaches - type approval | <input type="checkbox"/> |
| AB1 | Deutscher Verein des Gas- and Wasserfaches, DVGW type approval | <input type="checkbox"/> | AK3 | American Bureau of Shipping (ABS) type approval | <input type="checkbox"/> |
| AB2 | Water regulations and advisory scheme WRAS type approval | <input type="checkbox"/> | AK6 | Registro Italiano Navale (RINA) type approval | <input type="checkbox"/> |

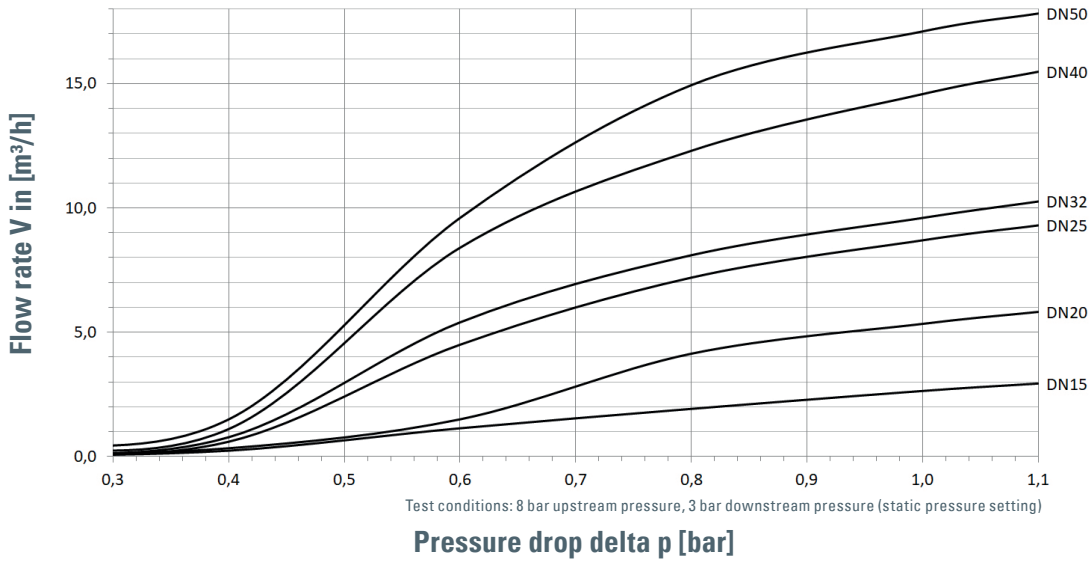
■ ENQUIRY

Copy and send to: order@goetze.de.

Series 9000:

Dimensioning by pressure loss on the outlet pressure side

Flow chart water



Dimensioning by flow velocity

For liquids:

With help of the chart you can determine the nominal diameter (DN) for a given flow volume V (m³/h). According to DVGW-guidelines (DIN 1988) a flow velocity of 2 m/s in domestic water supply systems should not be exceeded.

